



## Zenith Switchgear (M) Sdn. Bhd. (1297154-T)

Address: Unit AM13-PJ Industrial Park, Jalan Kemajuan, 46200 Petaling Jaya, Selangor Darul Ehsan, Malaysia. Website: [www.zenithswitchgear.com.my](http://www.zenithswitchgear.com.my). Office Tel/Fax: +603-79317072. Jimmy Wong, Managing Director, Mobile: +60173460728, email: [jimwkm@gmail.com](mailto:jimwkm@gmail.com), [jimwkm@qq.com](mailto:jimwkm@qq.com)

Date: Updated on 16 April 2024:

## 1. COMPANY INTRODUCTION

ZENITH SWITCHGEAR (M) SDN BHD (hereinafter known as ZS) is a Malaysian switchgear manufacturing & business consulting & contracting company, with business address located at:

UNIT AM13-PJ INDUSTRIAL PARK, JALAN KEMAJUAN, 46200 PETALING JAYA, SELANGOR, MALAYSIA. TEL/FAX: +6037490924. Email: [jimwkm@gmail.com](mailto:jimwkm@gmail.com)





## Zenith Switchgear (M) Sdn. Bhd. (1207154-T)

Address: Unit AM13-PJ Industrial Park, Jalan Kemajuan, 46200 Petaling Jaya, Selangor Darul Ehsan, Malaysia. Website: [www.zenithswitchgear.com.my](http://www.zenithswitchgear.com.my). Office Tel/Fax: +603-79317072. Jimmy Wong, Managing Director, Mobile: +60173460728, email: [jimwkm@gmail.com](mailto:jimwkm@gmail.com), [jimwkm@qq.com](mailto:jimwkm@qq.com)

Factory address in a 30,000<sup>2</sup> feet factory address located at NO.5 RAJAWALI 1A, BANDAR PUCHONG JAYA, JALAN PUCHONG, 47100 SELANGOR DARUL EHSAN, MALAYSIA.





## Zenith Switchgear (M) Sdn. Bhd. (1207154-T)

Address: Unit AM13-PJ Industrial Park, Jalan Kemajuan, 46200 Petaling Jaya, Selangor Darul Ehsan, Malaysia. Website: [www.zenithswitchgear.com.my](http://www.zenithswitchgear.com.my). Office Tel/Fax: +603-79317072. Jimmy Wong, Managing Director, Mobile: +60173460728, email: [jimwkm@gmail.com](mailto:jimwkm@gmail.com), [jimwkm@qq.com](mailto:jimwkm@qq.com)

## 2. GROUP OF COMPANIES

It has the following group of companies forming a group business strategy to achieve the business goals:

ZENITH ELECTRIC COMPANY (M) SDN BHD (ZE)  
ZENITH SWITCHGEAR (M) SDN BHD (ZS)  
JW POWER SOLUTIONS SDN BHD (JWPS)  
JW DESIGN SOLUTIONS SDN BHD (JWDS)  
INNOVATIVE GREEN POWER SDN BHD (IGP)

## 3. ZENITH ELECTRIC COMPANY (M) SDN BHD

ZE was registered in 1979 specializing in the field of manufacturing LV Switchgear and MCC. It has a very wide spectrum of customers in Malaysia. Over the years, it has done many projects in Malaysia and elsewhere.

Due to the needs of expansion and different scope of business, JWPS, JWDS & ZS were subsequently set up in 2013, 2014 and 2018 to serve the needs of the Group Companies.

Please see the attachment for more detail information.

## 4. JWPS OPERATION



JWPS is specializing in the Sole Agency Trading in Malaysia and engineering consulting businesses. We have particularly good track record of successes.



## Zenith Switchgear (M) Sdn. Bhd. (1207154-T)

Address: Unit AM13-PJ Industrial Park, Jalan Kemajuan, 46200 Petaling Jaya, Selangor Darul Ehsan, Malaysia. Website: [www.zenithswitchgear.com.my](http://www.zenithswitchgear.com.my). Office Tel/Fax: +603-79317072. Jimmy Wong, Managing Director, Mobile: +60173460728, email: [jimwkm@gmail.com](mailto:jimwkm@gmail.com), [jimwkm@qq.com](mailto:jimwkm@qq.com)

We are the sole distributor of large companies in the world for equipment used in substations.

1. Distributor and technical support of AEG and Honeywell products made by SGEN Shanghai China for AEG VCBs, Vacuum contactors, and Honeywell VFDs for controlling huge 12/6.6/3.3kV motors for water treatment projects.
2. Sole Distributor of China Shanxi BAOGUANG vacuum interrupters and embedded poles, who is the 100% subsidiary of Xian Electric Group. It covers a voltage range of 12-40.5kV VIs and we supply VIs to major Malaysian MV Switchgear factories.
3. Sole Distributor of Australia Mors-Smitt RMS Test blocks, test plugs, tripping, and DC/AC heavy duty control relays in Malaysia, approved by TNB utilities.
4. Sole Distributor of Scope India MV HV Testing equipment.

## 5. JWDS OPERATION

JWDS is a design arm of MV Switchgear, VCBs, LBSs and mechanisms for the Group of Companies. In the past, JWDS also serves the needs of some selected switchgear customers in Malaysia and Overseas helping them to develop new MV products.

JWDS has a team of elite design engineers and is specializing in the research and development of new products for MV RMU, AIS and GIS up to 40.5kV. We have successfully developed the latest technological 12-24-40.5kV SF6 RMU, 12-24kV Draw out VCB AIS, 12-17.5kV Fixed DS-VCB AIS and 40.5kV GIS for few very large MV switchgear factories in Malaysia, Southern and Northern China, Vietnam, and Middle East countries.

Zenith Switchgear is responsible for manufacturing. Please consult Jimmy Wong, Mobile: +60173460728, email: [jimwkm@gmail.com](mailto:jimwkm@gmail.com), [jimwkm@qq.com](mailto:jimwkm@qq.com) for more information.

## 6. INNOVATIVE GREEN POWER SDN BHD

IGP was formed and registered in Malaysia in 2013. Initially IGP was doing solar business and we have diversified to EV charging since 2021.

IGP is an integration and trading company of EV chargers for electric cars. We are supplying and installing EV charging stations for Household, shopping malls, hospitals, government buildings, roadside charging stations to serve the needs of expanding electric car market in Malaysia and overseas.

We are the Main Distributor of IGP-Teison EV Charger in Malaysia. We have a very good user references for EV charger sales and installation all over Malaysia. We have single and three phase 7kW, 11kW and 20kW EV charger stations. Please consult GM/Director Alvin Wong, Mobile: +60163814786, email: [anotheralvin@gmail.com](mailto:anotheralvin@gmail.com) for more information.



Zenith Switchgear (M) Sdn. Bhd. (1207154-T)

Address: Unit AM13-PJ Industrial Park, Jalan Kemajuan, 46200 Petaling Jaya, Selangor Darul Ehsan, Malaysia. Website: [www.zenithswitchgear.com.my](http://www.zenithswitchgear.com.my). Office Tel/Fax: +603-79317072. Jimmy Wong, Managing Director, Mobile: +60173460728, email: [jimwkm@gmail.com](mailto:jimwkm@gmail.com), [jimwkm@qq.com](mailto:jimwkm@qq.com)

## 7. SCOPE OF BUSINESS OF ZENITH SWITCHGEAR (M) SDN BHD

ZS specializes in continuous developing and manufacturing of LV & MV AIS, RMU & GIS, and new switchgear using compressed dried-air and Nitrogen filled insulation to serve the world markets. We also develop and provide training high end LV MCC switchgear for Oil & Gas projects.

We assist our clients in providing technical solutions and tender offers for HV & MV Substations, Solar Farm Power Stations, Inverters, frequency speed drives, MV & HV power transformers etc. and help in sourcing investment partners.

We provide business consulting and technical training services relating to MV and LV Package, Container and Switch Room type Mobile and transportable substations.

We provide basic, intermediate, and advance training for MV Switchgear and Project Management using Microsoft Project 2012.

We work together with a few huge switchgear companies in China, Italy, and USA as OEM and capable of offering business engineering consulting service such as main contracting tendering, designing of new switchgear and project management to meet the quality and deadlines.

We have a team of design engineers specializing in switchgear solid works 3D design and system protection and control. We also have a team of engineers specializing in effective project management.

Our company has very good track records in developing new markets in Asia, Australia, Middle East, and African countries and maintain good relationship with customers in these regions. We are also currently the Business Consultants of a few domestic and international manufacturing companies.

We have completed 108 Nos. of LV Switchgear MCC & MDB panels for an African Oil Field Project within 45 days of delivery time from the date of order and completion of 3<sup>rd</sup> Party Inspection in 2019. We also supply 40.5kV GIS to China offshore platforms.

## 8. GROUP COMPANY MISSION

We provide effective technical and commercial services for customers to accomplish their missions.



Zenith Switchgear (M) Sdn. Bhd. (1207154-T)

Address: Unit AM13-PJ Industrial Park, Jalan Kemajuan, 46200 Petaling Jaya, Selangor Darul Ehsan, Malaysia. Website: [www.zenithswitchgear.com.my](http://www.zenithswitchgear.com.my). Office Tel/Fax: +603-79317072. Jimmy Wong, Managing Director, Mobile: +60173460728, email: [jimwkm@gmail.com](mailto:jimwkm@gmail.com), [jimwkm@qq.com](mailto:jimwkm@qq.com)

## 9. MARKETING OBJECTIVES

Maintain good relationship with international partners and customers.

Offer close business communication.

Offer MV product design and system solutions.

Offering non-standard designs.

Understanding customers' requirements.

Satisfying sellers' and buyers' needs.

Developing technical and management skills for engineers and technicians in MV Switchgear through intensive training.

## 10. PROJECT REFERENCES

### LIST OF PROJECT REFERENCES BY ZENITH GROUP & COMPANIES

1. Design, supply and assist in video commissioning of 108 Nos. of MLS 5.0 400V LV MCC Switchgear MDB for African Oil Field Projects (2019).
2. Design and supply and assist in video installation and commissioning of 2 Nos. custom made extension panels for 400V F660 LV MCC Switchgear MDB for African Oil Field Projects (2020).
3. Design and supply of spare drawers and spare parts for MLS 400V LV MCC Switchgear MDB for African Oil Field Projects (2020).
4. Supply and commissioning service of 40.5kV 1250A 25kA GIS for China Oil and Gas Tianjin Offshore Platform Projects are ongoing since 2008. Last extension projects of 40.5kV 1250A 31.5kA GIS (2008-2022).
5. Design and development of 12KV ZSD12 1250A 25kA Green Fixed Air Insulated LBS/FS/VCB switchgear up to 1250A 20/25/31.5/40/50kA for international infrastructure, oil & gas, buildings, and utility projects (2021). Products were completed and fully type tested to IEC 62271-100, 102, 105 and 200 & comply with TNB bulk tender specifications.
6. Design and supply of 28 panels of 12KV ZSD12-1250-25 Air Insulated Fixed VCB and 12kV ZSD12-1250A-T200-50kA Fused Switch Panels for Netherlands projects



## Zenith Switchgear (M) Sdn. Bhd. (1207154-T)

Address: Unit AM13-PJ Industrial Park, Jalan Kemajuan, 46200 Petaling Jaya, Selangor Darul Ehsan, Malaysia. Website: [www.zenithswitchgear.com.my](http://www.zenithswitchgear.com.my). Office Tel/Fax: +603-79317072. Jimmy Wong, Managing Director, Mobile: +60173460728, email: [jimwkm@gmail.com](mailto:jimwkm@gmail.com), [jimwkm@qq.com](mailto:jimwkm@qq.com)

- (2021).
7. Design and supply of 2 Panels of 12KV ZSD12 630-T125-40kA Fused Switch Panels for South Africa Lycopodium Mining Project (2022).
  8. Design and supply 4 Panels of 12KV ZSD12 630A Dried Air Fixed Vacuum Contactor 40kA Fused Switch Panels for South Africa GCO Expansion Phase 1 Project (2022). Main contractor is from South Africa.
  9. Design and supply of 2 sets IP54 AISI304 Stainless Steel Outdoor enclosure c/w 12kV ZSD12-630-25kA In-out panel c/w CT bushings & RCTs VTs for Oman Sohar Flourmill project (2022). Main contractor is from Oman.
  10. Design and supply of 5 sets of 6.6kV ZSG12 AEG VCB Incomer c/w 4 sets AEG draw out fused-vacuum contactors (FC) for MV Motor starting for Poland/German main contractor for Tamaris Indonesia project (2022).
  11. Design and supply of 20 sets 12kV Distribution panels for SALCON Malaysia for Bangladesh project (2021).
  12. Design and supply of 8 sets of ZSD12 25kA VCB Panels for Argentina Aquatech Project (2022-2023). Main contractor is from US.
  13. Design and development of 12kV 630A 1250A 2000A 31.5kA Tallboy VCB Switchgear rated at 50 Deg C ambient for Oman Utility Project was completed in solid works and product manual in 2021. Prototype VCBs were completed, and factory tested.
  14. Manufacturing of 15 sets of 12kV 630A 1250A 2000A 31.5kA Tallboy VCB air insulated Switchgear rated at 50 Deg C ambient for Oman Utility Project is ongoing with 12kV 630/1250A 25/31.5kA prototype panel completed.
  15. Design and development of 12/24/40.5kV 630/1250/2000A 31.5KA GIS VCB using was completed in 2018 with prototype VCBs factory tested and available for type tests.
  16. Design and applications of ABB Germany vacuum interrupters in the type tests of 12kV Embedded Pole VCB AIS and 12/24/36/40.5 RMUs and GIS. Prototype samples of 12/24/40kV RMU have been completed and passed internal factory power frequency and switching tests in 2022.
  17. Design of LV/MV/SCS AIS/GIS Container substation design for Malaysian utility company and Philippines, Thailand goldmines by Australian main contractor. Project was completed successfully in 2019.
  18. Design of MV Package substation for Africa such as Kenya and Ghana utilities. Design in solid works was completed in 2019.
  19. Design and development of 24KV ZSD24 630/1250A Green Fixed Air/epoxy Insulated switchgear is ongoing by upgrading our successful ZSD12 AIS.
  20. Design and development of 40.5kV 1250/2000A 31.5kA GIS. Design has completed in solid works. Project is expected to complete in 2024 for type tests.
  21. Design and supply of 3 sets of ZSD12 25KA VCB Switchgear for Malaysia Kerteh



## Zenith Switchgear (M) Sdn. Bhd. (1207154-T)

Address: Unit AM13-PJ Industrial Park, Jalan Kemajuan, 46200 Petaling Jaya, Selangor Darul Ehsan, Malaysia. Website: [www.zenithswitchgear.com.my](http://www.zenithswitchgear.com.my). Office Tel/Fax: +603-79317072. Jimmy Wong, Managing Director, Mobile: +60173460728, email: [jimwkm@gmail.com](mailto:jimwkm@gmail.com), [jimwkm@qq.com](mailto:jimwkm@qq.com)

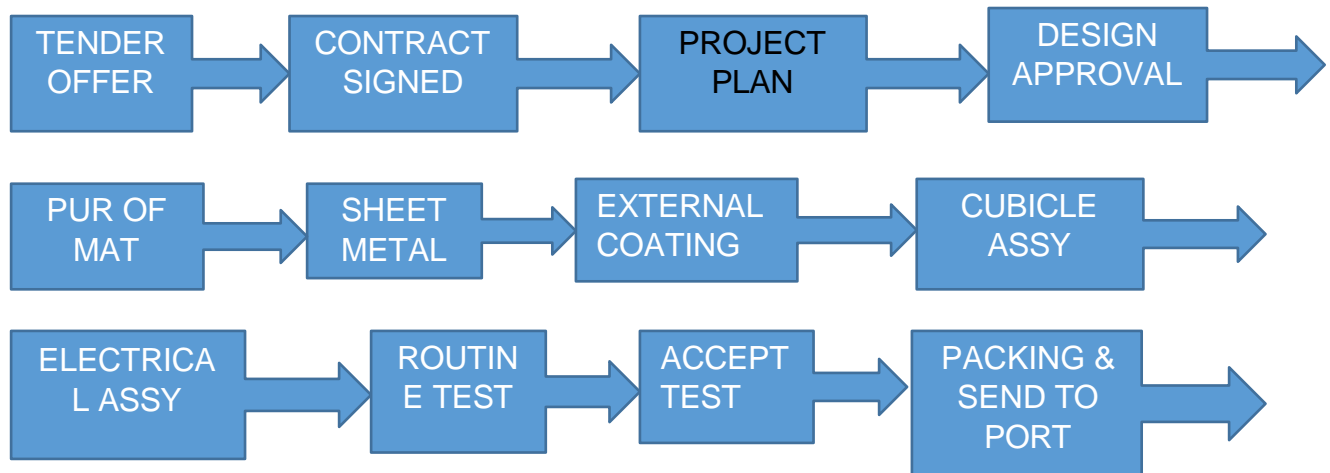
3MW Renewable Energy Plant (Completed and commissioned).

22.Design and supply of 7 sets of ZSD12 25kA VCB In/out Panels for Abu Dhabi Project (2023). Main contractor is from Europe. Project is in progress.

## 11. KEY TRAINING RECORDS

- ❖ Training of TAMCO MV & LV Switchgear for Toyo Engineering (Indonesia)
- ❖ Training of TAMCO MV Switchgear for UAE DEWA (2013)
- ❖ Training of TAMCO MV & LV Switchgear for Toyo Engineering (Indonesia)
- ❖ Training of TAMCO MV Switchgear for Qatar Kharamaa (2013)
- ❖ Training of TAMCO MV Switchgear for Oman (2014)
- ❖ Training of TAMCO MV Switchgear for Sarawak Bintulu O&G (2013)
- ❖ Training of TAMCO MV GIS for TNB Engineers (2012)
- ❖ Training of TAMCO MV Switchgear for Philippines Hitachi Cable (2014)
- ❖ Training of TAMCO Engineers & Technicians (2013-2014)
- ❖ Training of EPE VCB testing using SCOPE VCB analyser (July 2015)
- ❖ Training of MV Switchgear for PESTECH International Engineers & Managers (June 2015)

## 12. Overall manufacturing process and capabilities of output



### CAPABILITIES OF OUTPUT INCLUDING OEM PARTNERS:

1. LV SWITCHGEAR MCC – 500 PANELS A YEAR
2. MV SWITCHGEAR MCC – 500 PANELS A YEAR
3. MV RMU – 1000 PANELS A YEAR
4. MV GIS – 500 PANELS A YEAR



## Zenith Switchgear (M) Sdn. Bhd. (1207154-T)

Address: Unit AM13-PJ Industrial Park, Jalan Kemajuan, 46200 Petaling Jaya, Selangor Darul Ehsan, Malaysia. Website: [www.zenithswitchgear.com.my](http://www.zenithswitchgear.com.my). Office Tel/Fax: +603-79317072. Jimmy Wong, Managing Director, Mobile: +60173460728, email: [jimwkm@gmail.com](mailto:jimwkm@gmail.com), [jimwkm@qq.com](mailto:jimwkm@qq.com)

### NORMAL DELIVERY PERIOD:

1. LV SWITCHGEAR MCC – 90 DAYS
2. MV SWITCHGEAR MCC – 90 DAYS
3. MV EPOXY FIXED TYPE DRIED AIR AIS – 90 DAYS
4. MV SF6 RMU – 90 DAYS
5. MV VCB AIS – 90 DAYS



ABOVE DELIVERY STARTS FROM THE DATE OF PROJECT DESIGN DRAWINGS FULLY APPROVED BY CUSTOMERS AND CONFIRMATION OF PROJECT DOWNPAYMENT.

NOTE: SPECIAL SITUATION MAY ARISE DUE TO COVID-19 THAT MAY AFFECT THE PROGRESS OF THE PROJECT DELIVERY. PLEASE CHECK WITH US.

LIST OF MAJOR MACHINERY IN THE FACTORY:



## Zenith Switchgear (M) Sdn. Bhd. (1207154-T)

Address: Unit AM13-PJ Industrial Park, Jalan Kemajuan, 46200 Petaling Jaya, Selangor Darul Ehsan, Malaysia. Website: [www.zenithswitchgear.com.my](http://www.zenithswitchgear.com.my). Office Tel/Fax: +603-79317072. Jimmy Wong, Managing Director, Mobile: +60173460728, email: [jimwkm@gmail.com](mailto:jimwkm@gmail.com), [jimwkm@qq.com](mailto:jimwkm@qq.com)

### AMADA CNC AUTOMATIC SHEET METAL PUNCHING MACHINE



### AMADA CNC AUTOMATIC SHEET METAL FOLDING MACHINE CNC AUTOMATIC COPPER BUSBAR PROCESSING MACHINE





## Zenith Switchgear (M) Sdn. Bhd. (1207154-T)

Address: Unit AM13-PJ Industrial Park, Jalan Kemajuan, 46200 Petaling Jaya, Selangor Darul Ehsan, Malaysia. Website: [www.zenithswitchgear.com.my](http://www.zenithswitchgear.com.my). Office Tel/Fax: +603-79317072. Jimmy Wong, Managing Director, Mobile: +60173460728, email: [jimwkm@gmail.com](mailto:jimwkm@gmail.com), [jimwkm@qq.com](mailto:jimwkm@qq.com)

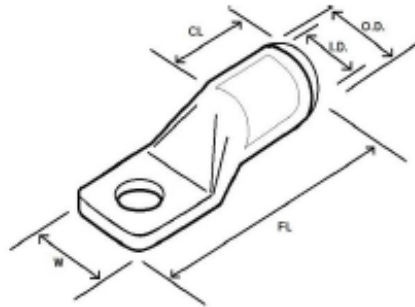
MV CABLE LUGS (SUPPLY ON REQUEST, SINGLE HOLE, OR DOUBLE HOLE DIN LUGS):

### MEDIUM VOLTAGE CABLE LUG

Use for Copper Conductor.  
Crimp Type for Hexagon and Indent Die.  
Corona relief taper end for application up to 33 kV.

High Conductivity Copper : 99% I.A.C.S  
Copper Purity : 99.9%  
Finishing : Tin Plated

Copper tube compliant to MS1540.



Size	Stud hole	Item code	FL	CL	OD	ID	W	Crimping Tool	Hexagon Die A/F	No. Of Crimps
16mm <sup>2</sup>	M8	CLMV-16-8	35	13	7.8	5.6	12.0	TCCP-240	6.4	1
25mm <sup>2</sup>	M8	CLMV-25-8	48	20	9.3	7.0	13.5	TCCP-240	7.7	1
35mm <sup>2</sup>	M10	CLMV-35-10	52	21	10.8	8.4	16	TCCP-240	8.9	1
50mm <sup>2</sup>	M10	CLMV-50-10	55	22	12.5	9.5	18.0	TCCP-240	10.3	1
70mm <sup>2</sup>	M12	CLMV-70-12	63	25	14.4	11.2	20.5	TCCP-240	11.9	1
95mm <sup>2</sup>	M12	CLMV-95-12	66	25	17.5	13.5	25.0	TCCP-240	14.5	1
120mm <sup>2</sup>	M12	CLMV-120-12	73	27	19.0	14.6	28.0	TCCP-240	15.7	2
150mm <sup>2</sup>	M16	CLMV-150-16	78	30	21.4	16.4	31.5	TCCP-240	17.6	2
185mm <sup>2</sup>	M16	CLMV-185-16	82	32	23.7	18.5	35.0	TCCP-240/630	19.5	2/ 1
240mm <sup>2</sup>	M16	CLMV-240-16	115	50	27.4	21.0	40.0	TCCP-240/630	22.6	3/ 2
300mm <sup>2</sup>	M16	CLMV-300-16	121	50	30.5	23.5	45.0	TCCP-630	25.2	2
400mm <sup>2</sup>	M16	CLMV-400-16	139	60	34.4	26.7	50.0	TCCP-630	28.5	2
500mm <sup>2</sup>	M20	CLMV-500-20	158	65	38.6	30.0	55.0	TCCP-630	32.1	3
630mm <sup>2</sup>	M20	CLMV-630-20	161	65	44.7	34.5	64.0	TCCP-630	37.0	3



Zenith Switchgear (M) Sdn. Bhd. (1207154-T)

Address: Unit AM13-PJ Industrial Park, Jalan Kemajuan, 46200 Petaling Jaya, Selangor Darul Ehsan, Malaysia. Website: [www.zenithswitchgear.com.my](http://www.zenithswitchgear.com.my). Office Tel/Fax: +603-79317072. Jimmy Wong, Managing Director, Mobile: +60173460728, email: [jimwkm@gmail.com](mailto:jimwkm@gmail.com), [jimwkm@qq.com](mailto:jimwkm@qq.com)

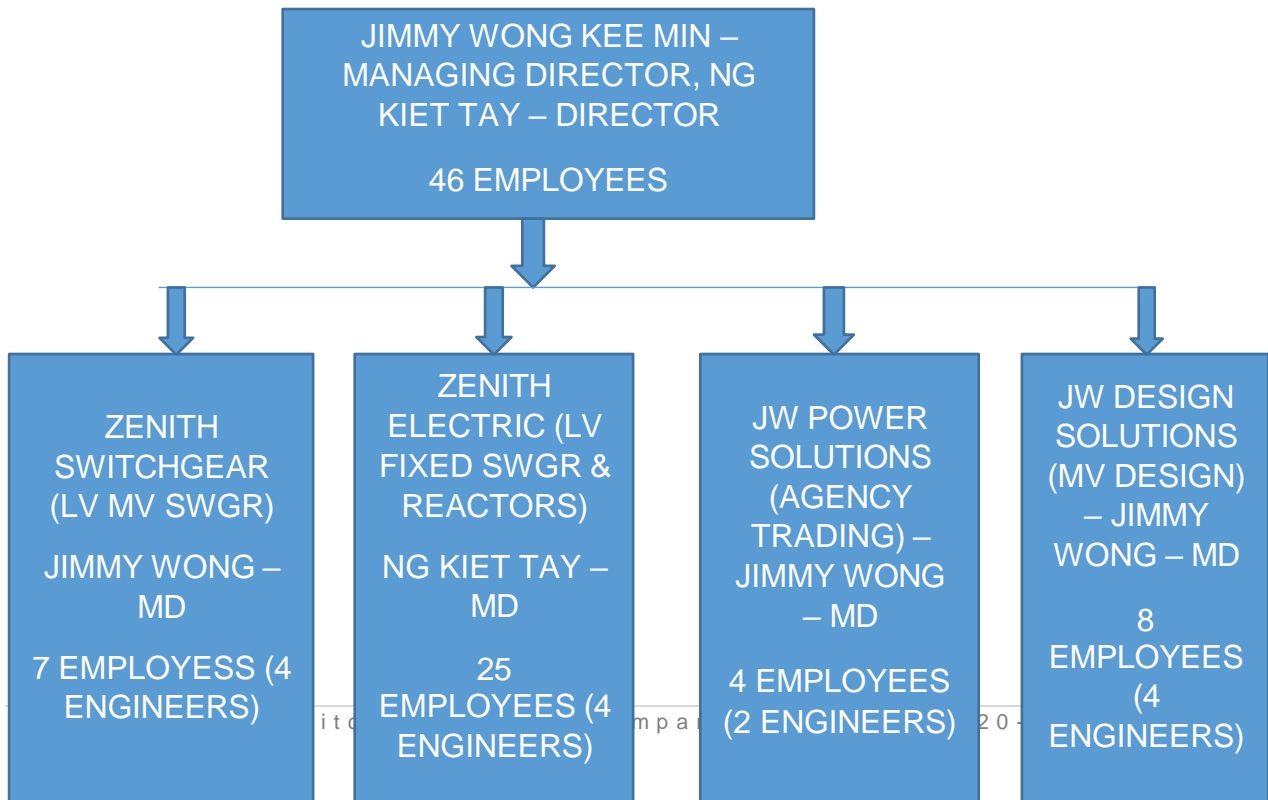
### 13. List of main testing, measuring equipment & facilities

1. POWER FREQUENCY TESTER
2. MICRO-OHM RESISTANCE TESTER
3. CIRCUIT BREAKER MECHANICAL CHARACTERISTIC PERFORMANCE TESTER
4. SWITCHGEAR CONTROL & PROTECTION FUNCTION TESTS
5. PRIMARY & SECONDARY CURRENT INJECTION TESTS
6. MECHANICAL ENDURANCE TESTER
7. GAS LEAKGE TESTING DEVICE
8. PAINT THICKNESS TESTER

ALSO AVAILABLE AT COLLABORATED KUALA LUMPUR HV TESTING LABORATORIES:

1. LIGHTNING IMPULSE TESTER UP TO 200KV
2. PARTIAL DISCHARGE TESTER
3. TEMPERATURE RISE TEST
4. X-RAY Y PROFILE TESTER
5. HARDNESS TESTER
6. SPRING LOAD CURVE TESTER

### 14. Organization chart and competency of vendor/supplier key personnel





Zenith Switchgear (M) Sdn. Bhd. (1207154-T)

Address: Unit AM13-PJ Industrial Park, Jalan Kemajuan, 46200 Petaling Jaya, Selangor Darul Ehsan, Malaysia. Website: [www.zenithswitchgear.com.my](http://www.zenithswitchgear.com.my). Office Tel/Fax: +603-79317072. Jimmy Wong, Managing Director, Mobile: +60173460728, email: [jimwkm@gmail.com](mailto:jimwkm@gmail.com), [jimwkm@qq.com](mailto:jimwkm@qq.com)

## 15. OTHER SUPPORTING DOCUMENTS

1. CERTIFICATE OF INCORPORATION (ZE, ZS, JWPS, JWDS, IGP)
2. MBPJ LICENSES (ON REQUEST).
3. CIDB LICENSE (ON REQUEST).
4. TNB MV INSTALLATION LICENSE (ON REQUEST).
5. LETTER OF DISTRIBUTOR'S APPOINTMENT (ON REQUEST).
6. TYPE TEST CERTIFICATES OF ZSG12 AEG PRODUCTS: AEG LV SWITCHGEAR, AEG 12KV VCB AIS & AEG 24kV AIS. (ON REQUEST)
7. TYPE TEST CERTIFICATES OF ZSD12 FIXED TYPE EMBEDDED POLE AIS (ON REQUEST)
8. TYPE TEST CERTIFICATES OF ZSR12, 24, 36/40.5kV RMUs (ONGOING)
9. TYPE TEST CERTIFICATES OF ZSA 12KV AIS & VCBs (ONGOING).
10. QC MANAGEMENT SYSTEM CERTIFICATES (ISO9001)
11. ITP AND TYPE TEST PROCEDURES (ON REQUEST)
12. SHIPPING INSTALLATION OPERATING & MAINTENANCE MANUALS (ON REQUEST)

## 16. EQUIPMENT INTENDED TO SUPPLY

- **1. ZSD12 12KV FIXED TYPE EPOXY AIR INSULATED SWITCHGEAR**
- Variances:
- ZSD12-630-25kA DS-VCB-ESW PANEL, Product code: ZSD12-V-630-25
- ZSD12-1250-25kA DS-VCB-ESW PANEL, Product code: ZSD12-V-1250-25
- ZSD12-630-T50-50~315-50kA DS-VC-FUSED SWITCH PANEL, Product code: ZSD12-F-T50~315-50
- ZSD12-630-20kA DS-VC(LBS) PANEL, Product code: ZSD12-C-630-20
- ZSD12-1250-20kA DS-VC(LBS) PANEL, Product code: ZSD12-C-1250-20
- **2. ZSR12-12kV SF6 630-20/25kA Ring Main Units**
- Variances:
- ZSR12-630A 20kA 3S LBS Panel, Product code: ZSR12-C20
- ZSR12-630A 20kA VCB Panel, Product code: ZSR12-V20
- ZSR12-630A 25kA 3S LBS Panel, Product code: ZSR12-C25



## Zenith Switchgear (M) Sdn. Bhd. (1207154-T)

Address: Unit AM13-PJ Industrial Park, Jalan Kemajuan, 46200 Petaling Jaya, Selangor Darul Ehsan, Malaysia. Website: [www.zenithswitchgear.com.my](http://www.zenithswitchgear.com.my). Office Tel/Fax: +603-79317072. Jimmy Wong, Managing Director, Mobile: +60173460728, email: [jimwkm@gmail.com](mailto:jimwkm@gmail.com), [jimwkm@qq.com](mailto:jimwkm@qq.com)

- ZSR12-630A 25kA VCB Panel, Product code: ZSR12-V25
- **3. ZSR24-24kV SF6 630-20/25kA Ring Main Units**
- Variances:
  - ZSR24-630A 20kA 3S LBS Panel, Product code: ZSR24-C20
  - ZSR24-630A 20kA VCB Panel, Product code: ZSR24-V20
  - ZSR24-630A 25kA VCB Panel, Product code: ZSR24-V25
- **4. ZSR40- 36/40.5kV SF6 630-16/20kA Ring Main Units**
- Variances:
  - ZSR40-630A 16/20kA 3S LBS Panel, Product code: ZSR40-C16/20
  - ZSR40-630A 16/20kA VCB Panel, Product code: ZSR40-V16/20
  - ZSR40-630A 25kA VCB Panel, Product code: ZSR40-V25
- **5. AEG ZSG12-12kV Air insulated withdrawable VCB Switchgear**
- Variances:
  - ZSG12-630A 25kA AIS FEEDER PANEL, Product code: ZSG12-630-25
  - ZSG12-1250A 31.5kA AIS FEEDER PANEL, Product code: ZSG12-1250-31.5
  - ZSG12-2000A 31.5kA AIS FEEDER PANEL, Product code: ZSG12-2000-31.5
- **6. HONEY VFDS**
- 3.3kV Honeywell VFDs for huge MV motors up to 10MW.
- 6.6kV Honeywell VFDs for huge MV motors up to 10MW.
- 12kV Honeywell VFDs for huge MV motors up to 10MW.
- **6. ZSA12-12kV Air insulated withdrawable VCB Switchgear**
- Variances:
  - ZSA12-630A 25kA AIS FEEDER PANEL, Product code: ZSA12-630-25
  - ZSA12-1250A 31.5kA AIS FEEDER PANEL, Product code: ZSA12-1250-31.5
  - ZSA12-2000A 31.5kA AIS FEEDER PANEL, Product code: ZSA12-2000-31.5



## Zenith Switchgear (M) Sdn. Bhd. (1207154-T)

Address: Unit AM13-PJ Industrial Park, Jalan Kemajuan, 46200 Petaling Jaya, Selangor Darul Ehsan, Malaysia. Website: [www.zenithswitchgear.com.my](http://www.zenithswitchgear.com.my). Office Tel/Fax: +603-79317072. Jimmy Wong, Managing Director, Mobile: +60173460728, email: [jimwkm@gmail.com](mailto:jimwkm@gmail.com), [jimwkm@qq.com](mailto:jimwkm@qq.com)

- **6. ZSC12-3.6/7.2/12kV DS-VC VFD BYPASS Switchgear**
- Variances:
- ZSC12-400A 4kA DS-VC Fixed Type Control Switchgear, Product code: ZSC12-400-4kA-VC
- ZSC-400A 40kA DS-VF Fused Drawable Type Control Switchgear, Product code: ZSC12-T50~250-50
- **7. ZSC12-3.6/7.2/12kV DS-VC Power Factor Correction Control Switchgear**
- Variances:
- ZSC12-400A 4kA DS-VC-Cap-Reactor Fixed Type Control Switchgear, Product code: ZSC12-400-VC
- ZSC12-500A 5kA DS-VC-Cap-Reactor Fixed Type Control Switchgear, Product code: ZSC12-500-VC
- **8. GP-ALL-IN-ONE Self Power Generating Solar Station (DIY system)**
- 24VDC/240VAC-500/1000/1500/2000/3000/4000/6000W Solar Power System using Lithium Backup Batteries.

### PICTURES OF TWO COMPLETED PROJECTS:

1. 28 SETS OF 12KV FIXED TYPE AIR INSULATED ZSD12-630-FS & ZSD12-1250A-VCB PANELS FOR EUROPEAN AND AFRICAN PROJECTS FOR VFD POWER SUPPLY:

#### 1. PANELS PACKED WITH ISPM15 CERTIFICATION





## Zenith Switchgear (M) Sdn. Bhd. (1207154-T)

Address: Unit AM13-PJ Industrial Park, Jalan Kemajuan, 46200 Petaling Jaya, Selangor Darul Ehsan, Malaysia. Website: [www.zenithswitchgear.com.my](http://www.zenithswitchgear.com.my). Office Tel/Fax: +603-79317072. Jimmy Wong, Managing Director, Mobile: +60173460728, email: [jimwkm@gmail.com](mailto:jimwkm@gmail.com), [jimwkm@qq.com](mailto:jimwkm@qq.com)

### 1.2. PICTURE OF ZSD12 28 PANELS FACTORY ACCEPTANCE TESTED FOR VFD SUPPLY:



### 2. PICTURE OF 108 PANELS OF FORM 3B STANDARD MLS-415V DRAWOUT LV MCC DRAWOUT PANELS FOR AFRICAN OIL FIELD PROJECTS CW AEG SOFT STARTERS:





## Zenith Switchgear (M) Sdn. Bhd. (1207154-T)

Address: Unit AM13-PJ Industrial Park, Jalan Kemajuan, 46200 Petaling Jaya, Selangor Darul Ehsan, Malaysia. Website: [www.zenithswitchgear.com.my](http://www.zenithswitchgear.com.my). Office Tel/Fax: +603-79317072. Jimmy Wong, Managing Director, Mobile: +60173460728, email: [jimwkm@gmail.com](mailto:jimwkm@gmail.com), [jimwkm@qq.com](mailto:jimwkm@qq.com)

### 3. PICTURE OF 5 NOS. PANELS OF AEG ZSG12 6.6KV DRAWOUT TYPE VCB AND



FUSED-VACUUM CONTACTOR PANELS FOR TAMARIS INDONESIA PROJECT FOR VFD CONTROL.

### 4. PICTURE OF 2 NOS. ZSD12 IP54 OUTDOOR PANELS FOR OMAN FLOUR MILL





## Zenith Switchgear (M) Sdn. Bhd. (1207154-T)

Address: Unit AM13-PJ Industrial Park, Jalan Kemajuan, 46200 Petaling Jaya, Selangor Darul Ehsan, Malaysia. Website: [www.zenithswitchgear.com.my](http://www.zenithswitchgear.com.my). Office Tel/Fax: +603-79317072. Jimmy Wong, Managing Director, Mobile: +60173460728, email: [jimwkm@gmail.com](mailto:jimwkm@gmail.com), [jimwkm@qq.com](mailto:jimwkm@qq.com)

### 5. PICTURE OF 8 NOS. ZSD12 SWITCHGEAR FOR ARGENTINA AQUATECH PROJECT C/W SEL PROTECTION & PMS CONTROL WITH IEC 61850 GOOSE COMMAND & VFD CONTROL.



### PICTURE OF PACKING OF TOP ARC BOXES, BASE FRAMES AND LOOSE PARTS





## Zenith Switchgear (M) Sdn. Bhd. (1207154-T)

Address: Unit AM13-PJ Industrial Park, Jalan Kemajuan, 46200 Petaling Jaya, Selangor Darul Ehsan, Malaysia. Website: [www.zenithswitchgear.com.my](http://www.zenithswitchgear.com.my). Office Tel/Fax: +603-79317072. Jimmy Wong, Managing Director, Mobile: +60173460728, email: [jimwkm@gmail.com](mailto:jimwkm@gmail.com), [jimwkm@qq.com](mailto:jimwkm@qq.com)

### 6 PICTURE OF 14 NOS. ZSD12 SWITCHGEAR FOR ABU DHABI DESALINATION PLANT.





## Zenith Switchgear (M) Sdn. Bhd. (1207154-T)

Address: Unit AM13-PJ Industrial Park, Jalan Kemajuan, 46200 Petaling Jaya, Selangor Darul Ehsan, Malaysia. Website: [www.zenithswitchgear.com.my](http://www.zenithswitchgear.com.my). Office Tel/Fax: +603-79317072. Jimmy Wong, Managing Director, Mobile: +60173460728, email: [jimwkm@gmail.com](mailto:jimwkm@gmail.com), [jimwkm@qq.com](mailto:jimwkm@qq.com)

### 7. PICTURE OF VACUUM PACKING IN PROGRESS IN ACCORDANCE WITH ISPM 15 INTERNAL PACKING STANDARD:



PLEASE CONTACT BELOW FOR RFQ:  
JIMMY WONG KEE MIN, MOBILE: +60173460728,  
EMAIL: [jimwkm@gmail.com](mailto:jimwkm@gmail.com); [jimwkm@qq.com](mailto:jimwkm@qq.com)  
CHAIRMAN AND MANAGING DIRECTOR,  
ZENITH SWITCHGEAR (M) SDN BHD,  
JW POWER SOLUTIONS SDN BHD,  
JW DESIGN SOLUTIONS SDN BHD,  
INNOVATIVE GREEN POWER SDN BHD,  
16 APRIL 2024